

# Bring Big Screen Movie Magic Home



## Instant Backyard Theater



[www.openaircinema.us](http://www.openaircinema.us)

# OPEN AIR HOME SCREENS™

90 DAY WARRANTY

20 MPH WIND RATING

ULTRA LIGHT WEIGHT

## Steel Rings

Steel rings are sewn onto the screen with three layers of reinforced material.

## Zipper Air Vent

The screen deflates in seconds with the zipper air vent.

## Projection Surface

Bright, matte white, wrinkle resistant projection surface made from smooth ripstop nylon.

## Strap Sliders

Easily and quickly adjust the tension of the tethers.

## Twist Stakes

Easy twist-in stakes and clip-on rings make set up a snap.

## Inflatable Material

The durable nylon gives Open Air Home Screens a total weight of only 12-17 lbs.

## Air Blower

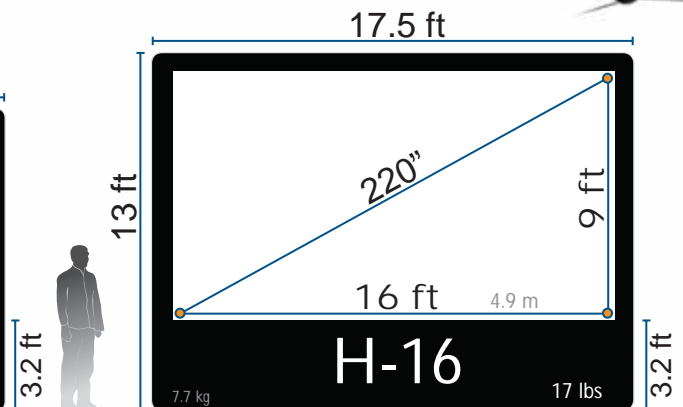
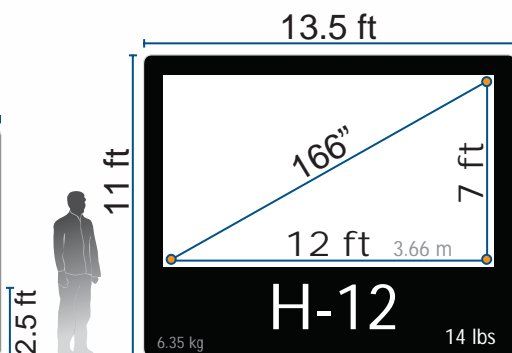
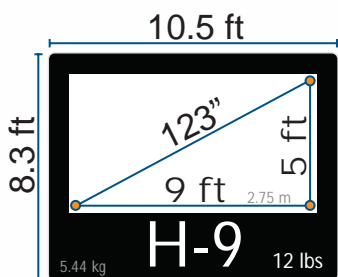
Inflates your screen in seconds and quietly provides constant air pressure.

## Blackout Backdrop

Greatly enhance the contrast and clarity of your movie. It eliminates rear interference from street lights, house lights or headlights.

## Optional Screen Accessories

- Deluxe Heavy Duty Storage Bag
- Water Bag Anchors
- Air Blower Sound Dampener



For Larger Screens Check Out Open Air Pro and Elite Screens

[www.openaircinema.us](http://www.openaircinema.us)